

# USER MANUAL



Thank you for choosing Better Bathrooms.  
Please read this manual before installing your product  
and keep for future reference.

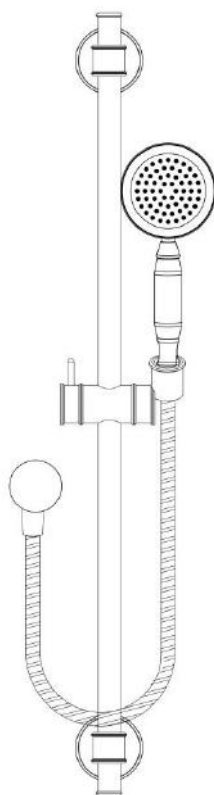
**better**   
**bathrooms**

## Product

BeBa\_27718 - Camden Slide Rail Kit Chrome

BeBa\_27719 - Camden Slide Rail Kit Matt Black

BeBa\_27720 - Camden Slide Rail Kit Brushed Brass



- **Single-person assembly**
- **Tools required**
- **We always recommend using professional tradespeople to install your product**

V1\_30/11/2021

*And welcome to our growing gang of savvy shoppers*

We're on a mission to bring you extraordinary bathroom products, for less. From modern to traditional style ceramics, plus the gorgeous fixtures, fittings and furniture to match. So, you can fall in love with your space every single day.

As one of the UK's largest independent bathroom stores, we've received countless awards; including the National Business Awards UK, the Digital Entrepreneur Awards and being placed on The Sunday Times Fast Track 100.

We hope your new product goes above and beyond your expectations. However, should any problems occur, please:

- log in to your account and contact our customer services team via your self-serve portal – [betterbathrooms.com/CustomerAccount/Login](https://betterbathrooms.com/CustomerAccount/Login)
- contact us via [betterbathrooms.com/content/contact-us](https://betterbathrooms.com/content/contact-us)

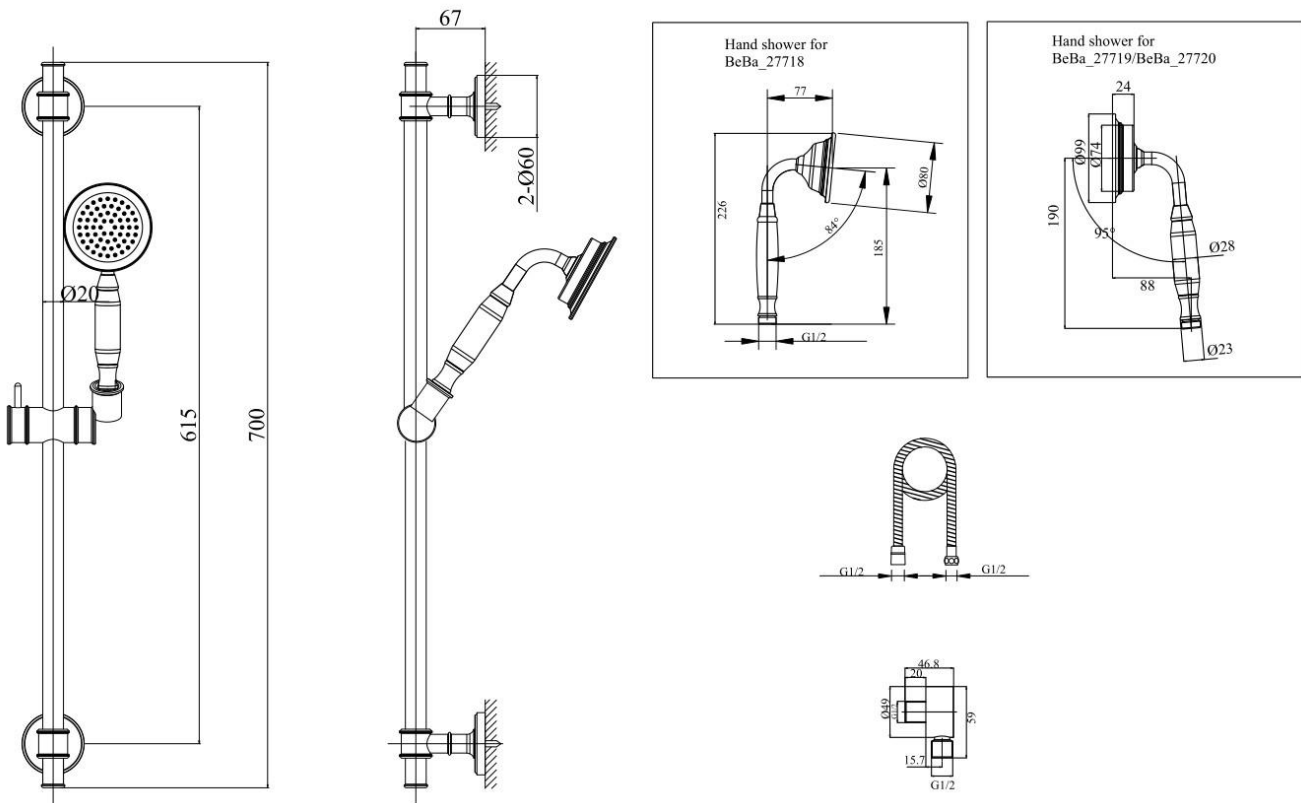
## **Important information**

- Please read these instructions thoroughly and retain for future reference
- Installation must be carried out in compliance with The Water Fittings Regulations and Scottish Water Byelaws.
- Minimum and Maximum working pressure : 1 - 5 bar
- Please do not connect hot and cold water supply lines in reverse. This could result in hot water flowing from cold line and cause scalding.
- The feed-water temperature of water shall not exceed 85°C. Exceeding 85° may cause scalding, the service life of shower might be shortened, or the shower might be damaged.
-

# Parts / Diagrams

No	Part Description
1	Wall Plug
2	Self-tapping screw
3	Mounting bracket
4	Screw
5	Sliding bar
6	Allen key
7	Hand shower
8	Shower hose
9	Elbow

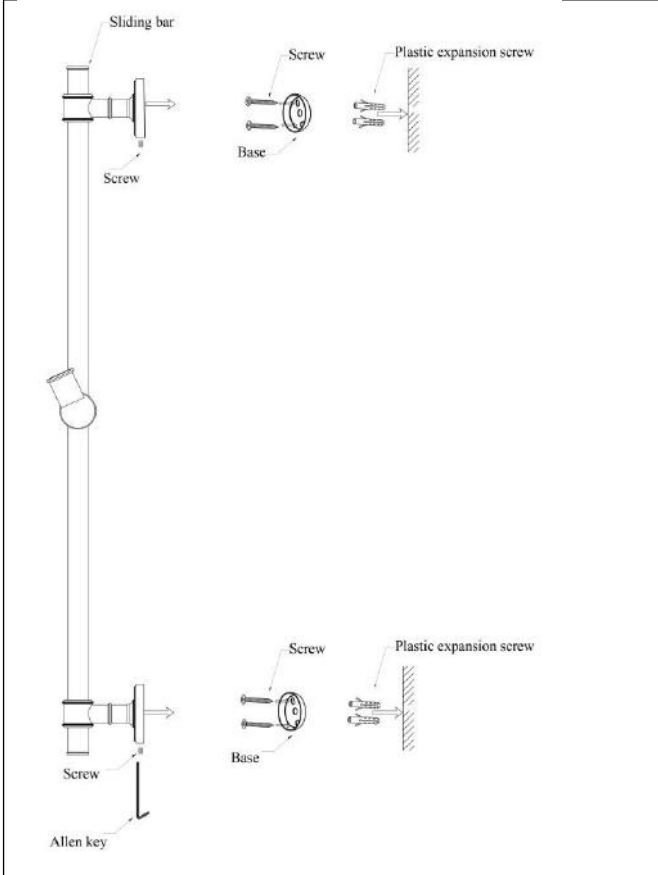

# Dimensions



# Tools required

- Seal tape
- Hammer
- Drill and bit
- Screwdriver

# Installation

	<ul style="list-style-type: none"><li>• Mark the positions on wall for installing the sliding bar by referring to dimension drawing.</li><li>• Drill 4 holes to suit the size of wall plugs.</li><li>• Insert the plugs into the drilled holes and tap flush using a hammer.</li><li>• Loosen the screws at the bottom of the trim cover on the sliding bar by using the allen key provided.</li><li>• Put the trim covers onto the mounting bracket and secure by tightening the screws with allen key.</li></ul>
	<ul style="list-style-type: none"><li>• Apply an appropriate amount of seal tape to the thread of the elbow and fix it into water supply pipe in the wall</li><li>• Check and make sure the rubber seals are fitted in the nuts when connecting the hose with hand shower and elbow.</li></ul>

# Operation

Before moving the slider bracket, always release the level on the slider before moving, once moved and located secure the lever to hold in position.

## Troubleshooting

Issues	Inspection Item
Poor water flow	<ul style="list-style-type: none"><li>• Is there damage or dirt within the nozzles on hand shower</li><li>• Is there damage or dirt within rubber seals in nuts of shower hoses</li><li>• Is there a blockage in the shower hose</li></ul>
Water leak	<ul style="list-style-type: none"><li>• Is there damage within the rubber seals in nuts of shower hoses</li><li>• Is the shower hose fully tightened to the elbow and hand shower</li><li>• Have all connections been fully tightened</li></ul>
Sliding bar loose	<ul style="list-style-type: none"><li>• Are the self-tapping screws and mounting bracket firmly fixed to the wall</li><li>• Are the screws at the bottom of trim cover on the sliding bar fully tightened</li></ul>

## Maintenance and Cleaning

To maintain the surface of your product, wipe with a clean damp cloth and wipe dry, do not use any abrasive cleaning agents or materials.

If any harsh chemicals come into contact with the surface of the product, rinse and wipe clean immediately.

If the nozzle is blocked and flow distorted, wipe it with soft cloth which is dipped into warm water.

Take care not to damage the nozzles.

If the product is wiped with excessive force, the nozzle might become damaged or deformed, causing distorted flow.

### **For more information**

- visit [betterbathrooms.com](http://betterbathrooms.com)
- email [customerservices@buyitdirect.co.uk](mailto:customerservices@buyitdirect.co.uk)
- call 03303903062
- write to Trident Business Park, Neptune Way, Huddersfield, HD2 1UA

**better  
bathrooms** 

Part of the BuyItDirect Group

